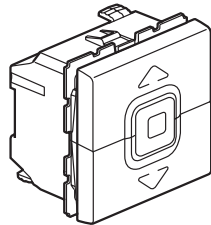


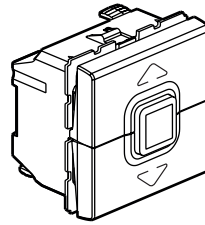
Mosaic™

Controls for opening

Cat. No(s) : 0 770 25/26/28 - 0 792 25/26 /28



0 770 25/26
0 792 25/26



0 770 28
0 792 28

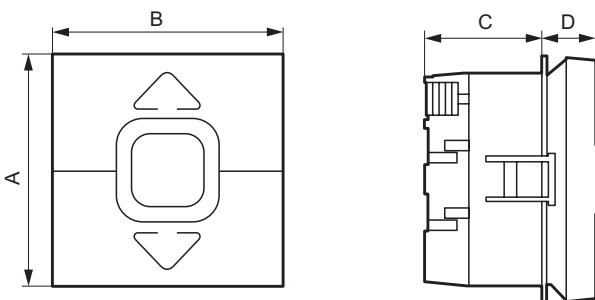
1. USE

Control mechanisms for roller shutters, blinds and awnings.

2. RANGE

Designation	Cat. No.	
	Blanc	Aluminium
Pushbutton for roller shutters / blinds / awnings	0 770 25	0 792 25
Switch for roller shutters / blinds / awnings	0 770 26	0 792 26
Pushbutton direct control for roller shutters / blinds / awnings	0 770 28	0 792 28

3. OVERALL DIMENSIONS (mm)

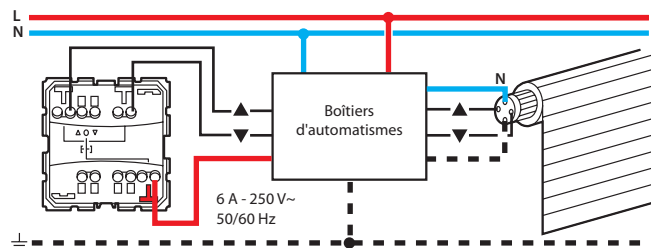


A	B	C	D
45	45	23	12

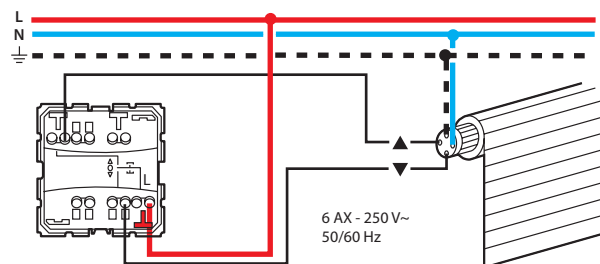
4. CONNECTION

Terminal type: automatic
 Stripping: 13 mm
 Terminal capacity: 2 x 2.5 mm²

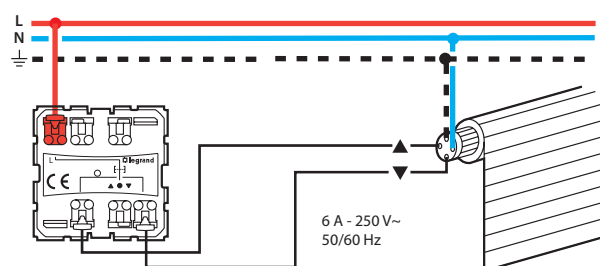
■ 4.1 Pushbutton wiring (Cat. No. 0 770 25 - 0 792 25)



■ 4.2 Switch wiring (Cat. No. 0 770 26 - 0 792 26)

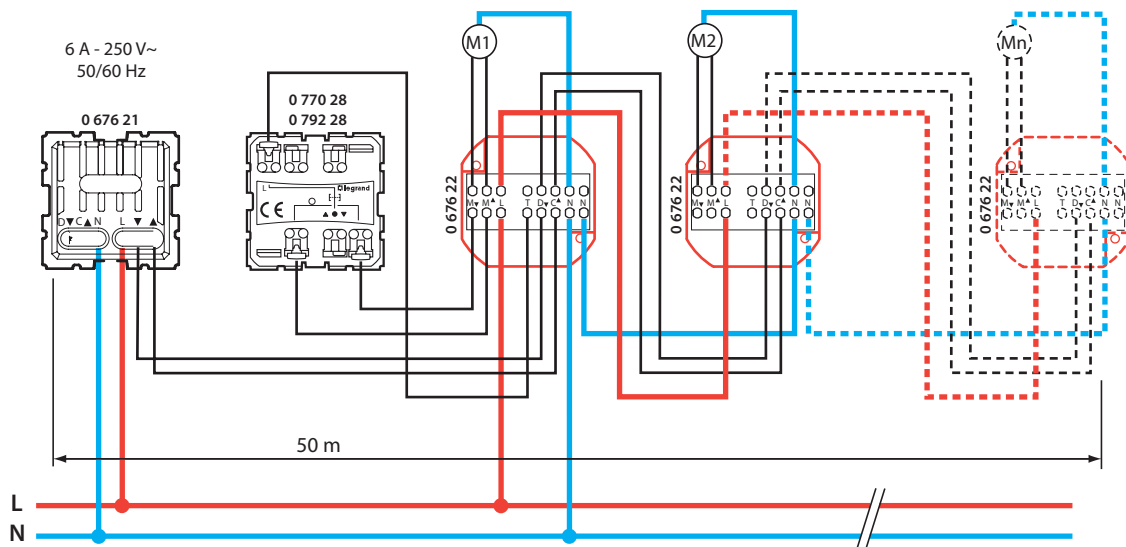


■ 4.3 Pushbutton wiring (Cat. No. 0 770 28 - 0 792 28)



4. CONNECTION (continued)

■ 4.3 Pushbutton wiring (Cat. No. 0 770 28 - 0 792 28) with relays

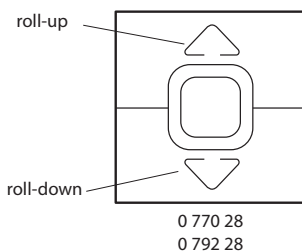
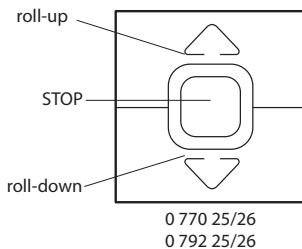


6. OPERATION

Cat. Nos. 0 770 25 - 0 792 25: double pushbutton for controlling one or more opening motors via automation control units (closing mechanism).

Cat. Nos. 0 770 26 - 0 792 26: double switch for direct control of opening drives (fixed position mechanism).

Cat. Nos. 0 770 28 - 0 792 28: double pushbutton for relay control (closing mechanism) of motor opening (without STOP).



7. TECHNICAL DATA

■ 7.1 Mechanical characteristics

Impact tests: IK 04

Penetration by solid/liquids bodies: IP 41 (C15-1000)

■ 7.2 Material characteristics

Rocker: ABS (RAL 9003)

Base: Polycarbonate

Rocker support: Polycarbonate

■ 7.3 Electrical characteristics

Self-extinguishing: 650° C / 30 s

Voltage: 250 VAC

Current: 0 770 26 - 0 792 26 : 6 AX

0 770 25/28 - 0 792 25/28 : 6 A

Max. controlled power: 500 W

■ 7.4 Climatic characteristics

Storage temperatures: - 10° C to + 70° C

Operating temperatures: - 5° C to + 50° C

8. CLEANING

Surface cleaning with a cloth.

Do not use: acetone, tar remover, trichloroethylene.

■ 8.1 Resistance to cleaning agents

Resistance to the following agents: Hexane (EN 60669-1), Methylated spirits, Soapy water, Diluted ammonia, Diluted pure bleach 10%, Glass cleaning substance, Pre-impregnated wipes.

■ 8.2 Resistance to hospital-type cleaning agents

Resistance to the following agents: Anios, Surfianios, Bactily sine, Diluted hydrogen peroxide (35%).

Caution: A preliminary test should be carried out if other specific cleaning products are to be used.

9. CONFORMITY - APPROVALS

Conform with standards of installation and manufacturing.
Refer to e.catalogue.